

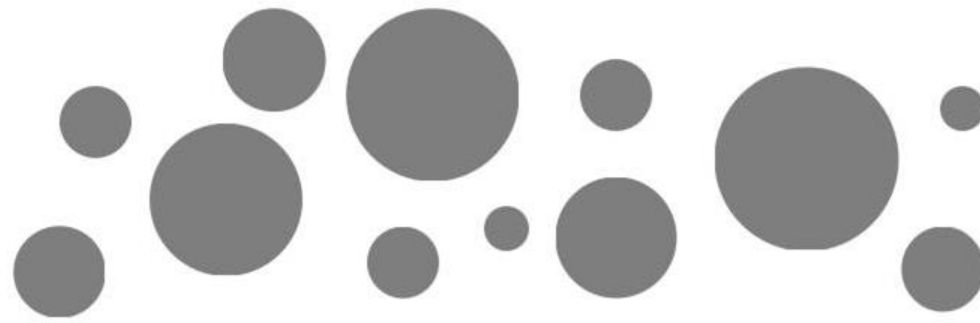


40%

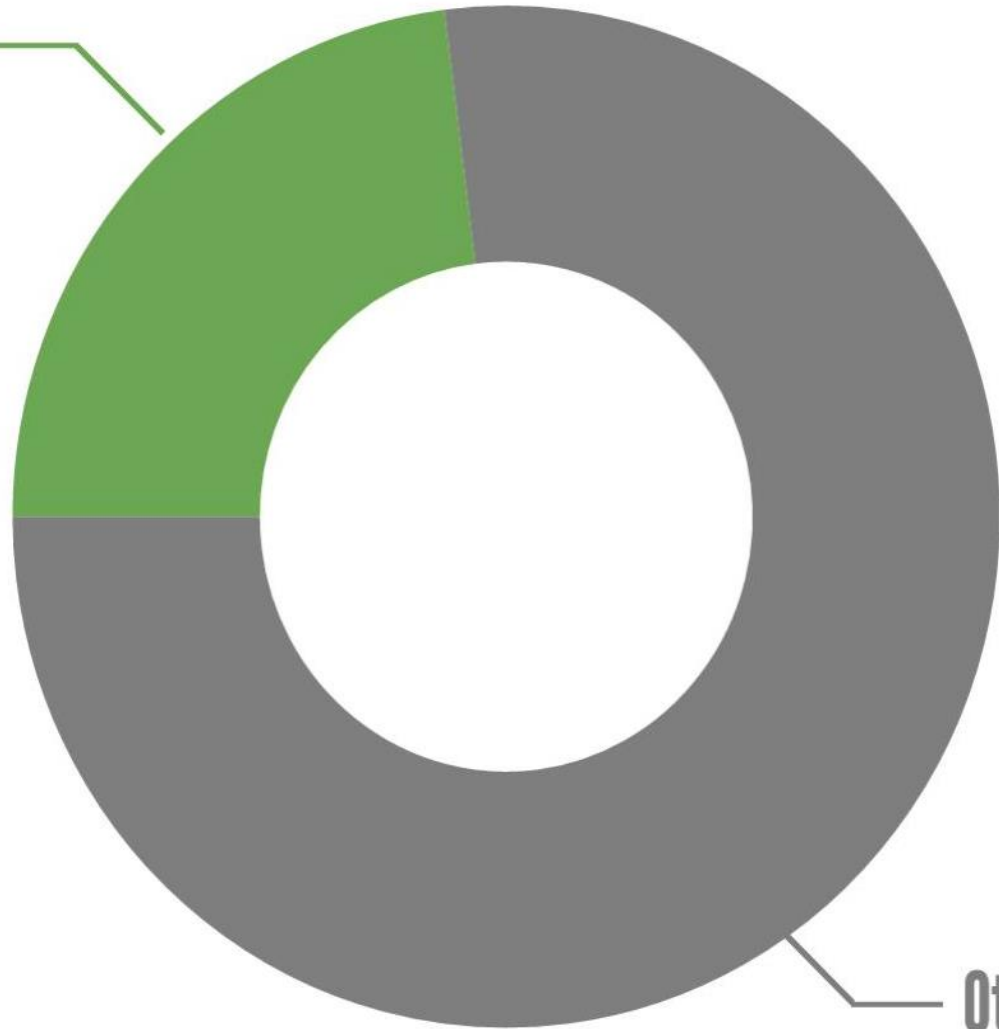


**20 lbs**





**Food Waste in  
Landfills**



**Other**







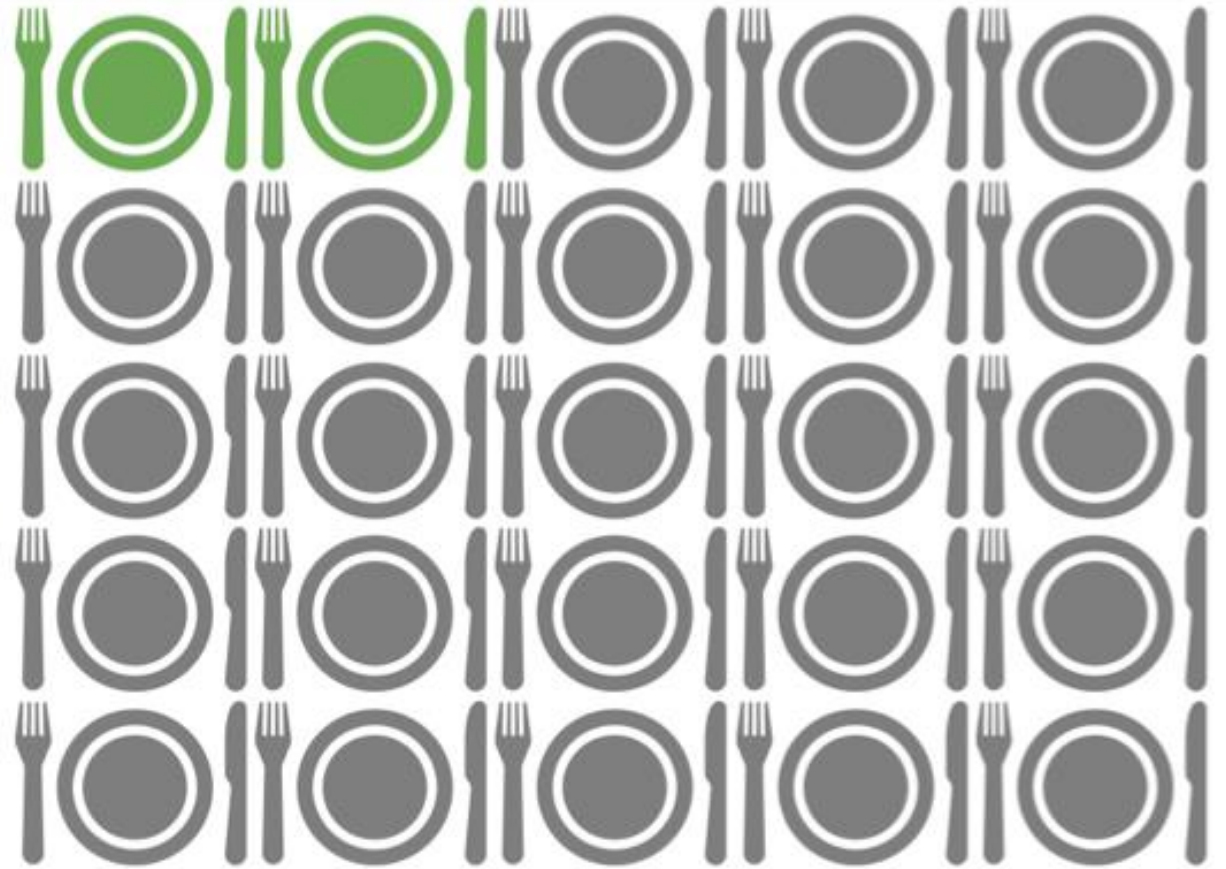




28%



8%



Successful aerobic compost must be turned every other day in order to optimize microbial processes.

Green homeowners are discouraged from composting because turning is tedious and labor-intensive.













<b>outdoor system</b>	●	●	●		●
<b>enclosed system</b>			●	●	●
<b>automated turning</b>				●	
<b>price</b>	\$0	\$25	\$100	\$400	\$420
<b>capacity</b>	∞	∞	124 Gallons	4 gallons	33 gallons

# Self-Sustainability



# Durability



# Microbial Optimization



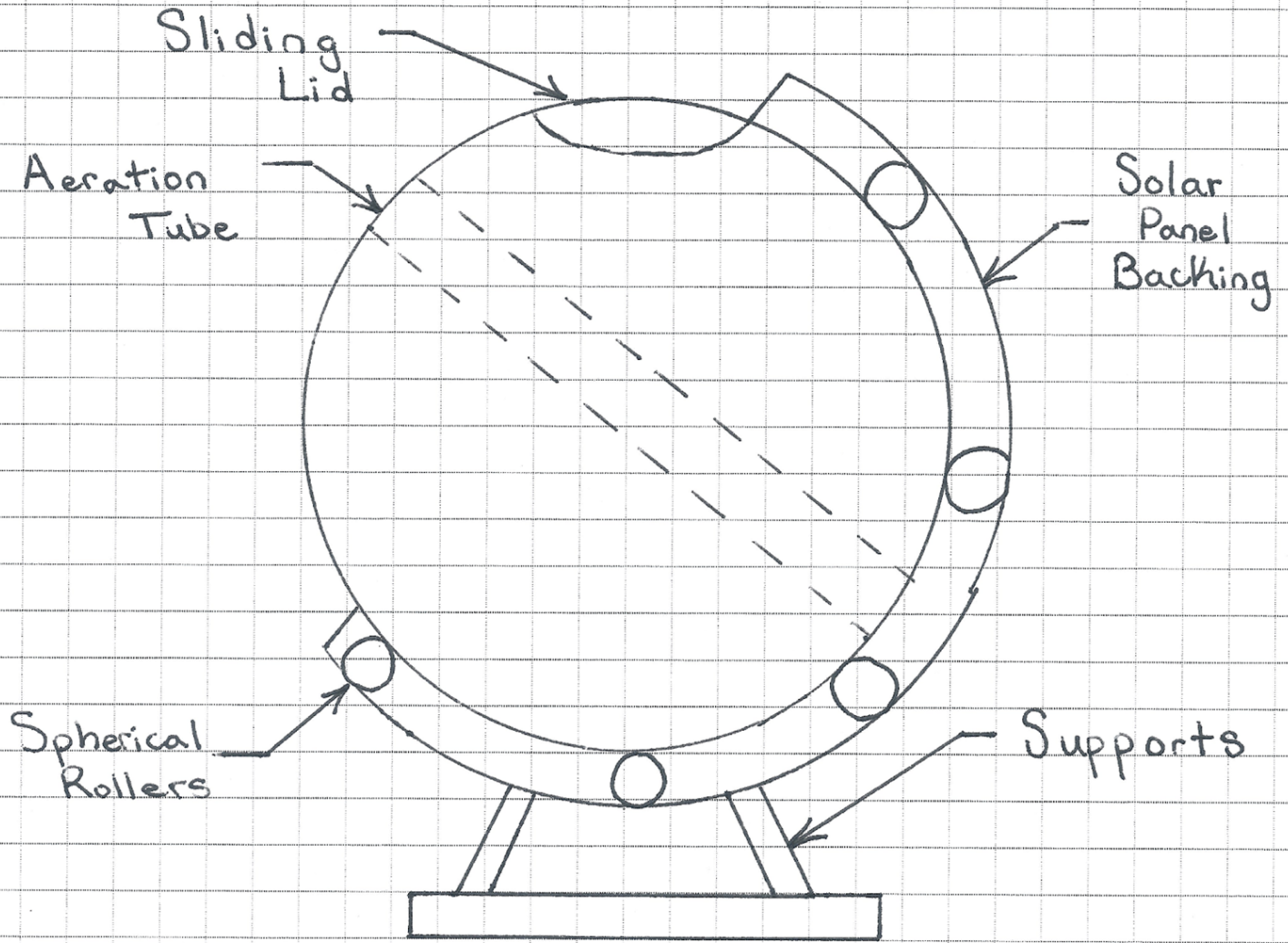
# Accessibility



# Cost

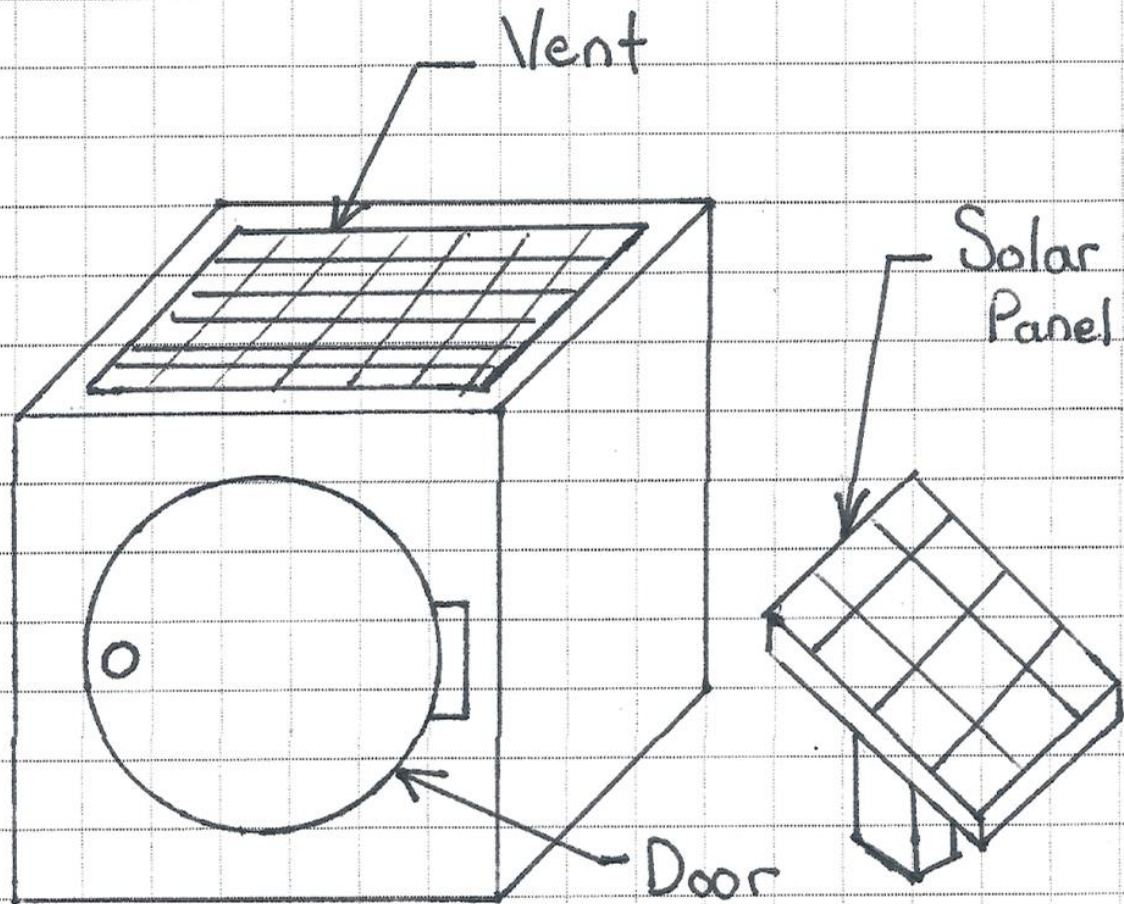




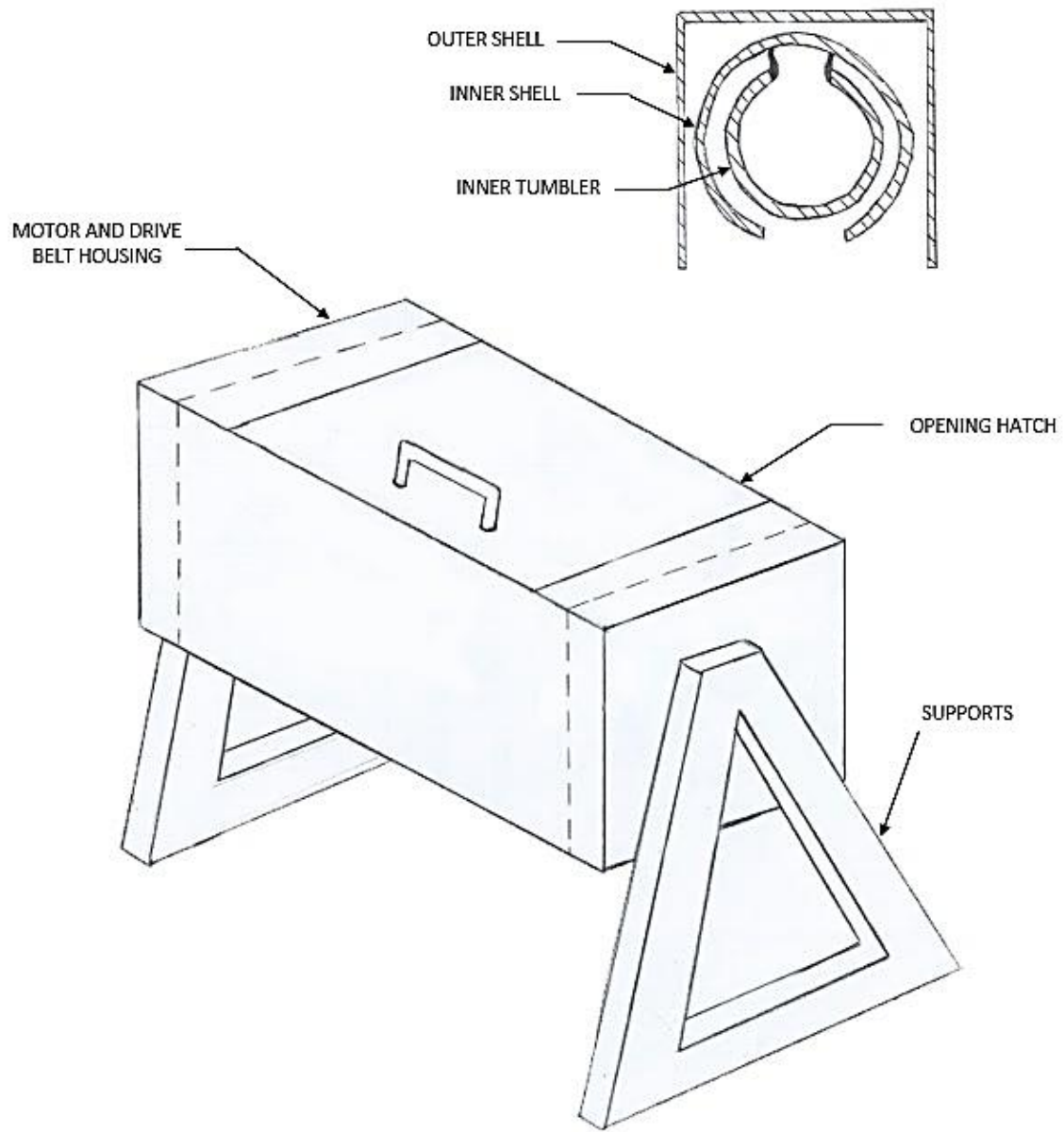


Globe Design

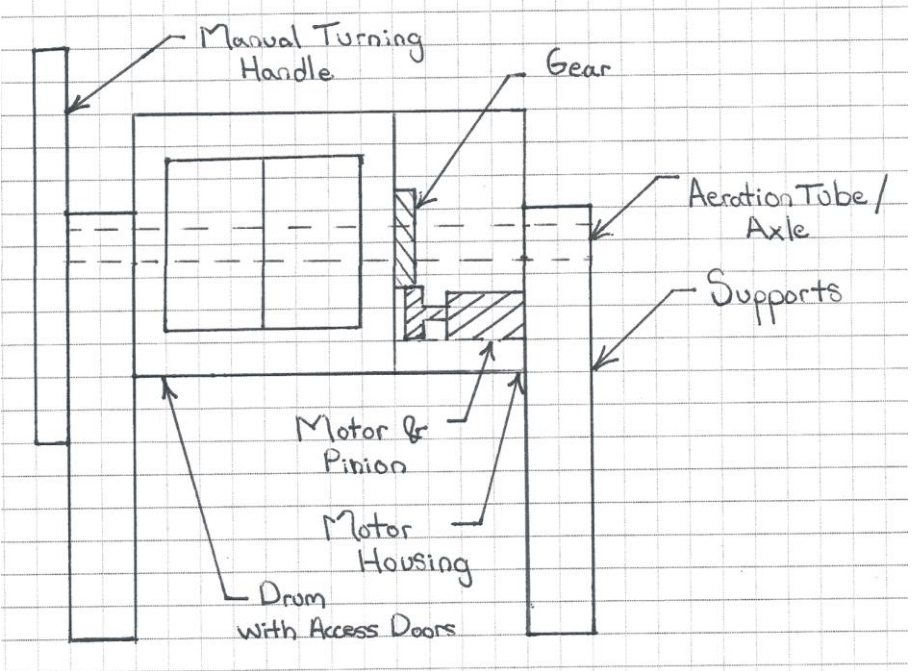
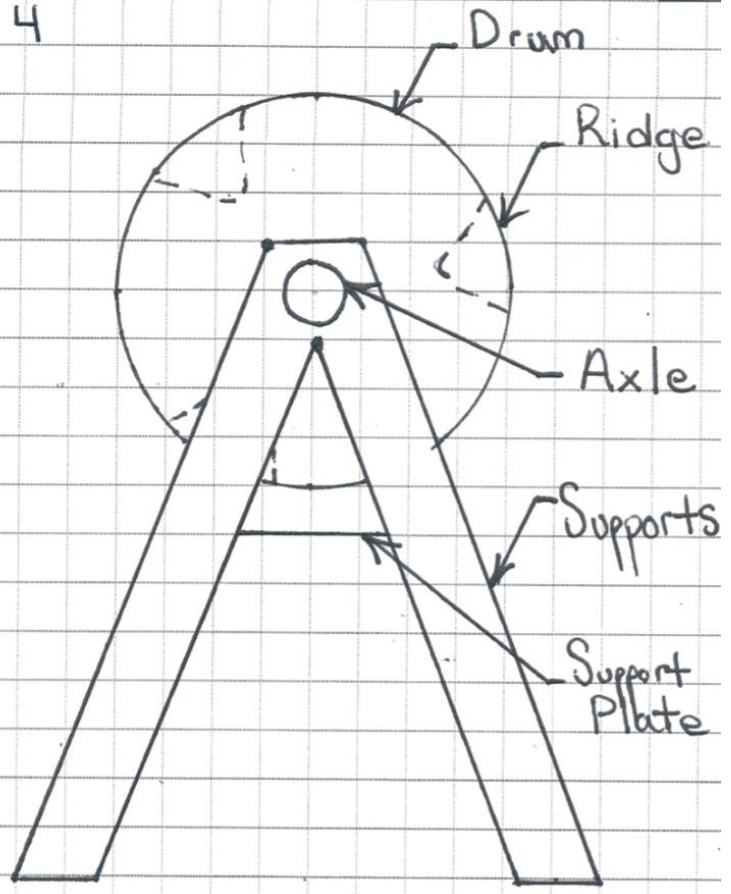




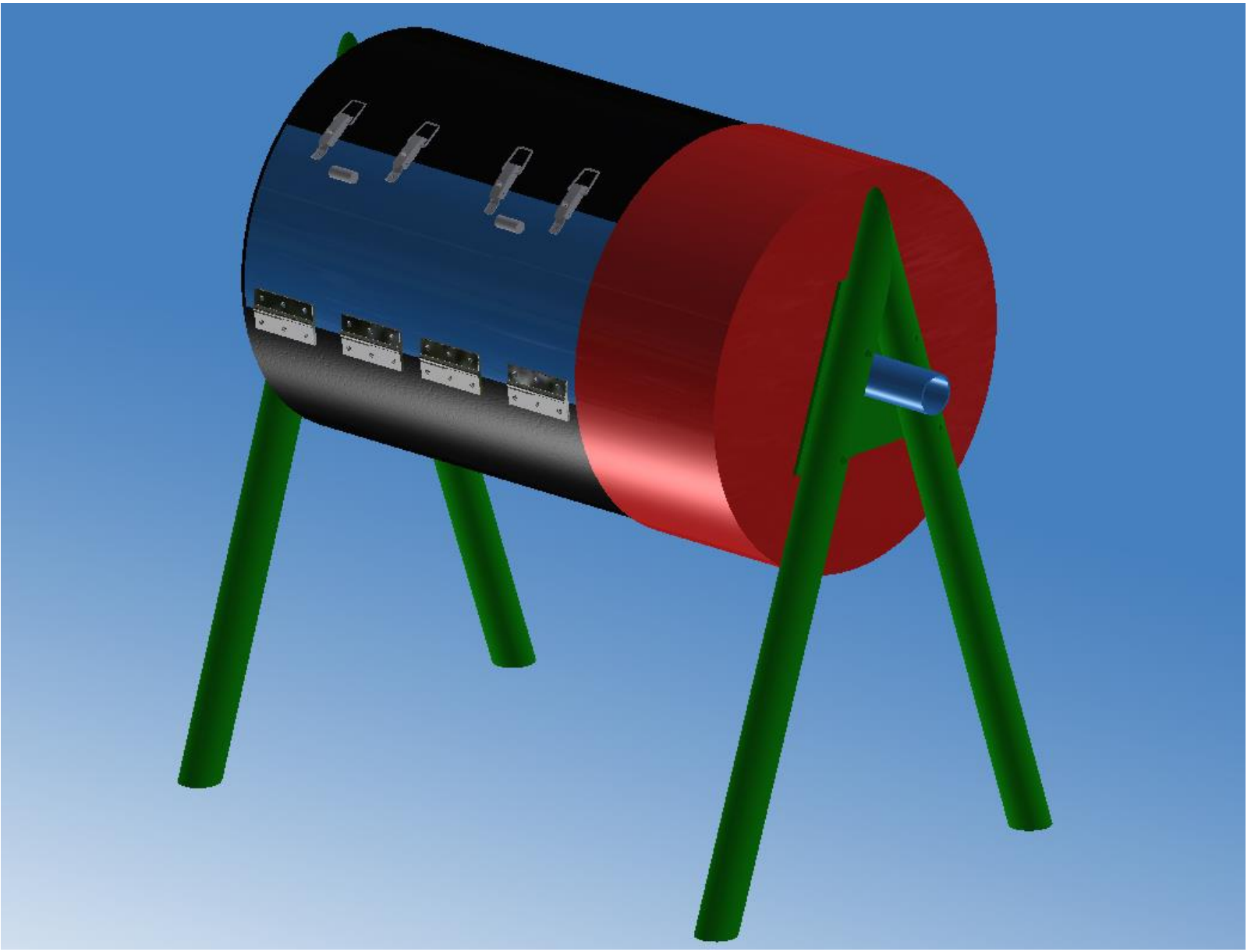
Box Design

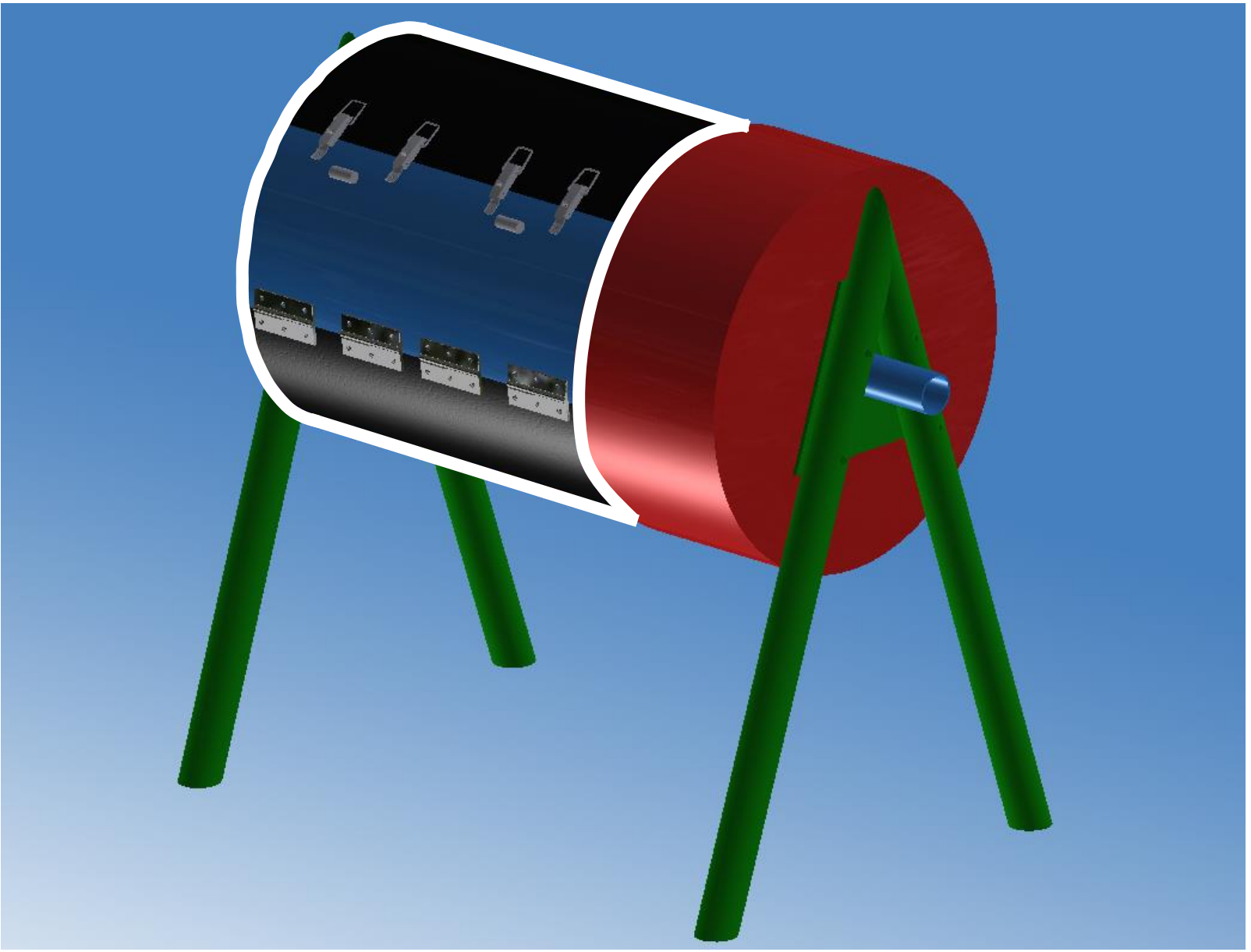


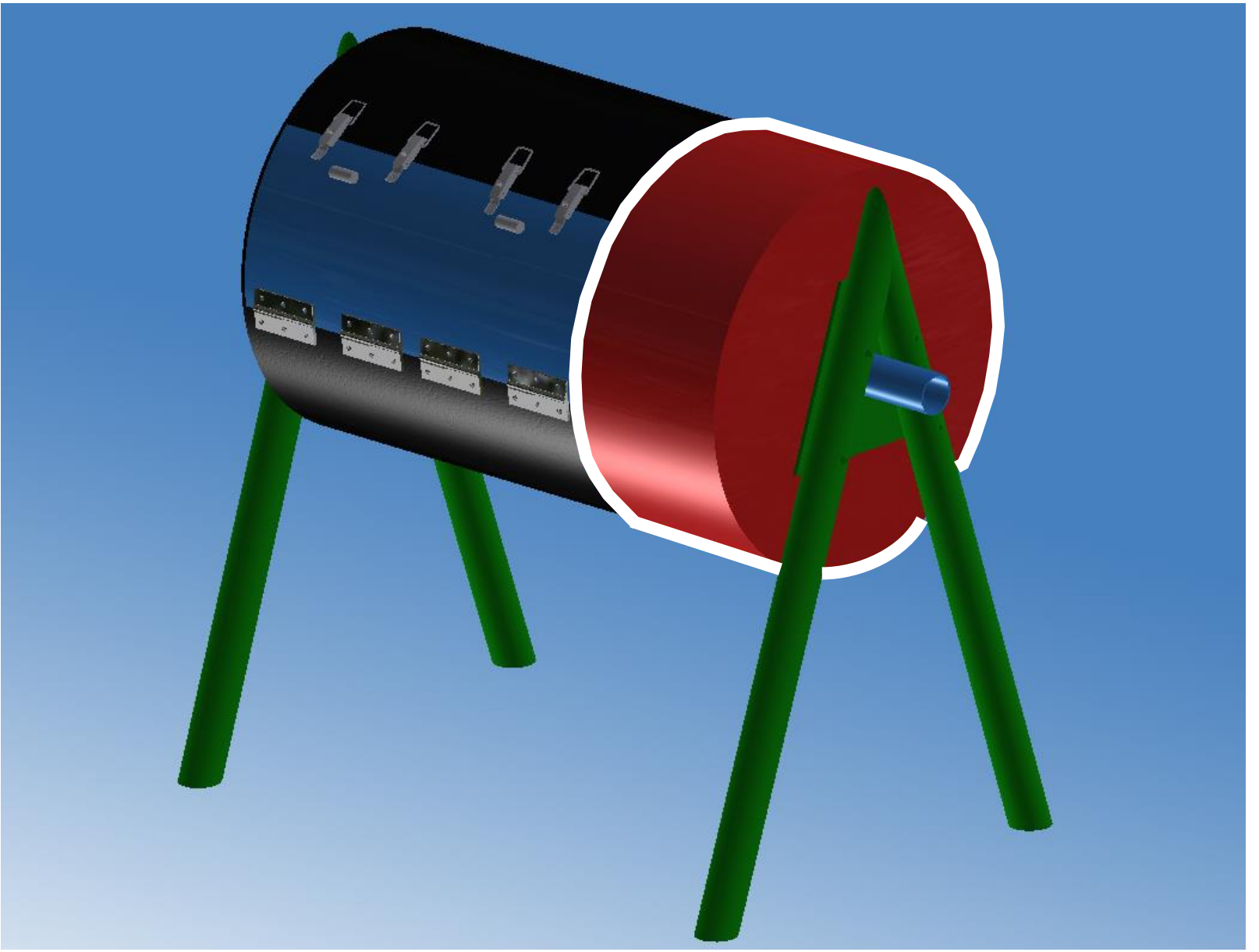
4

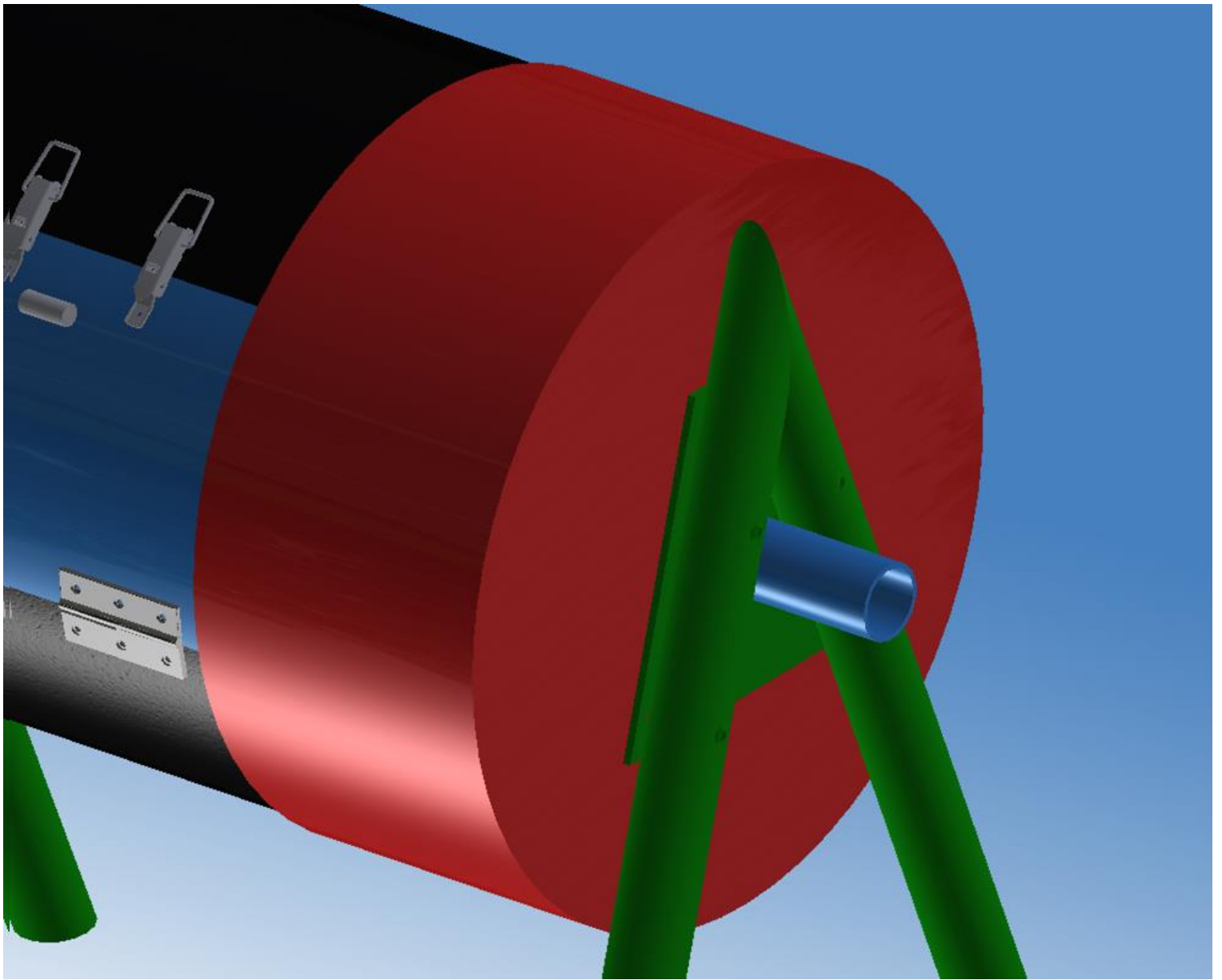




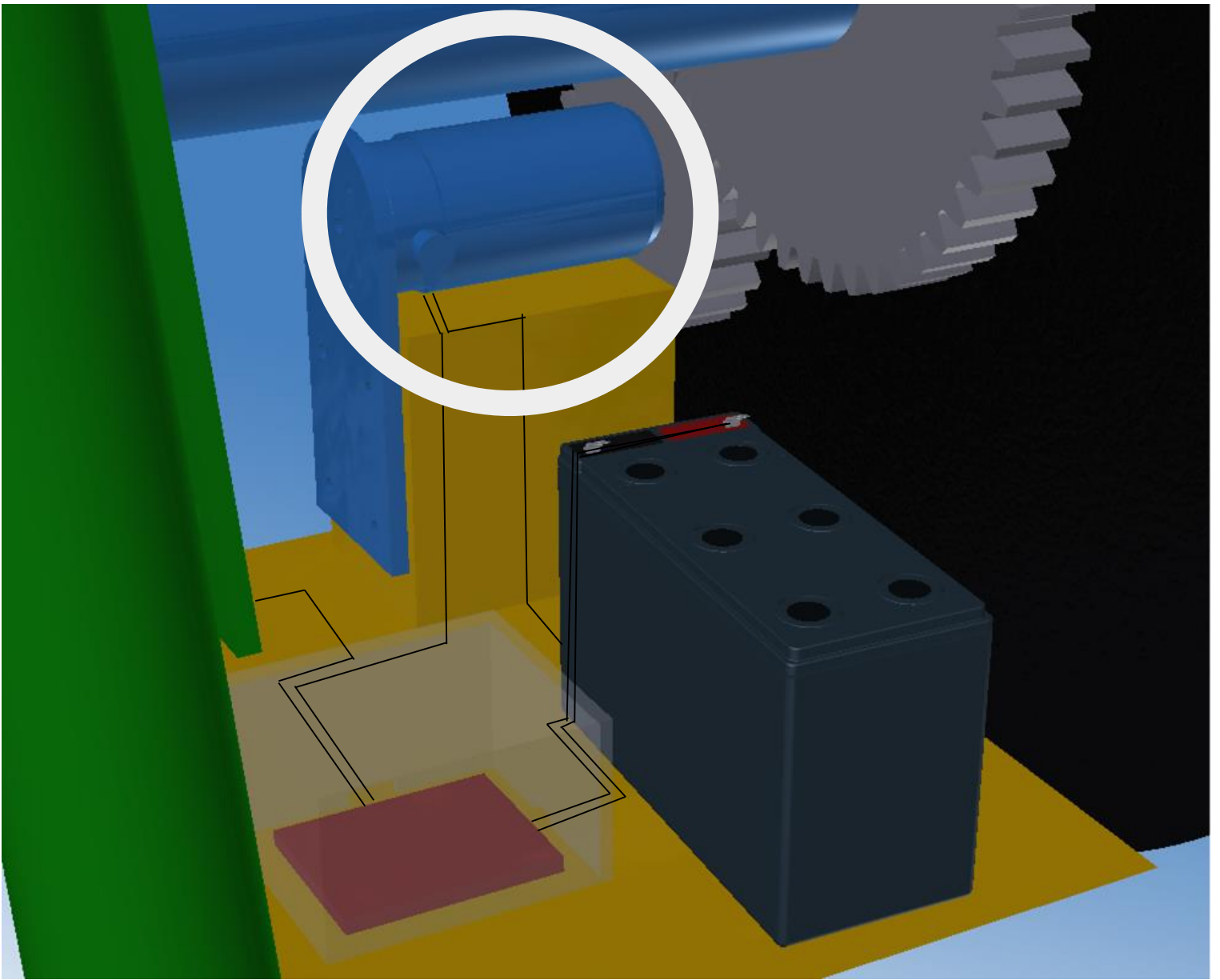


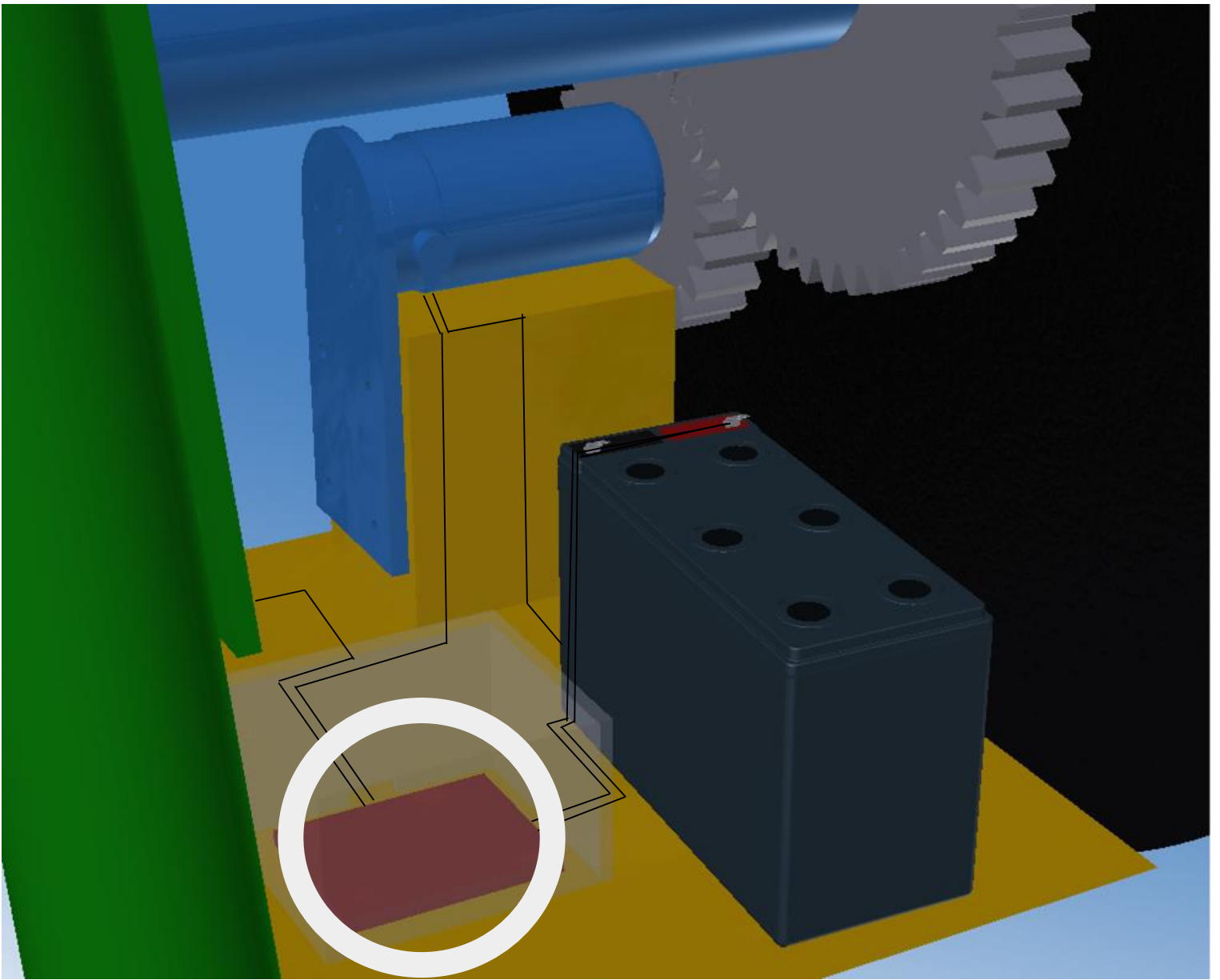


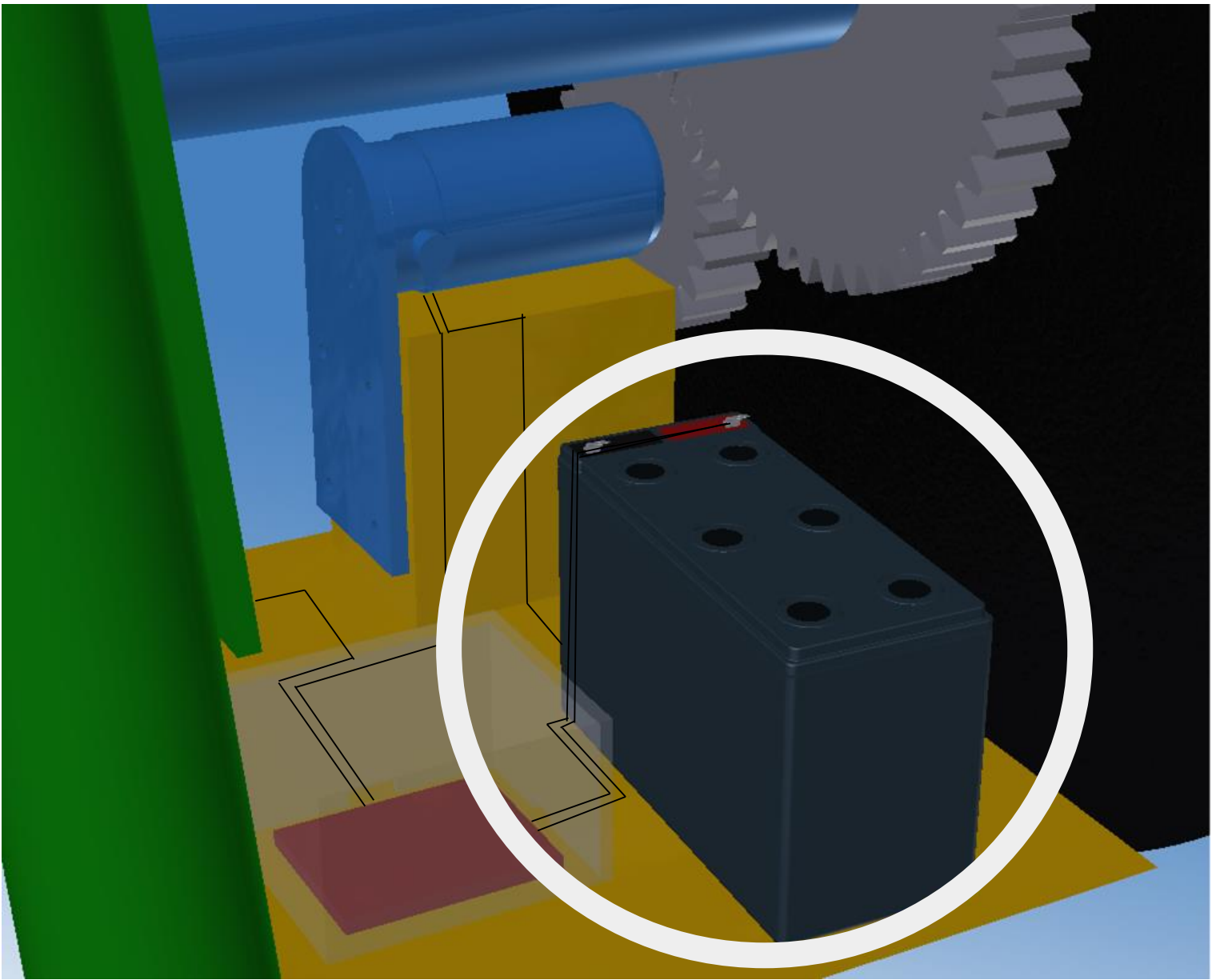


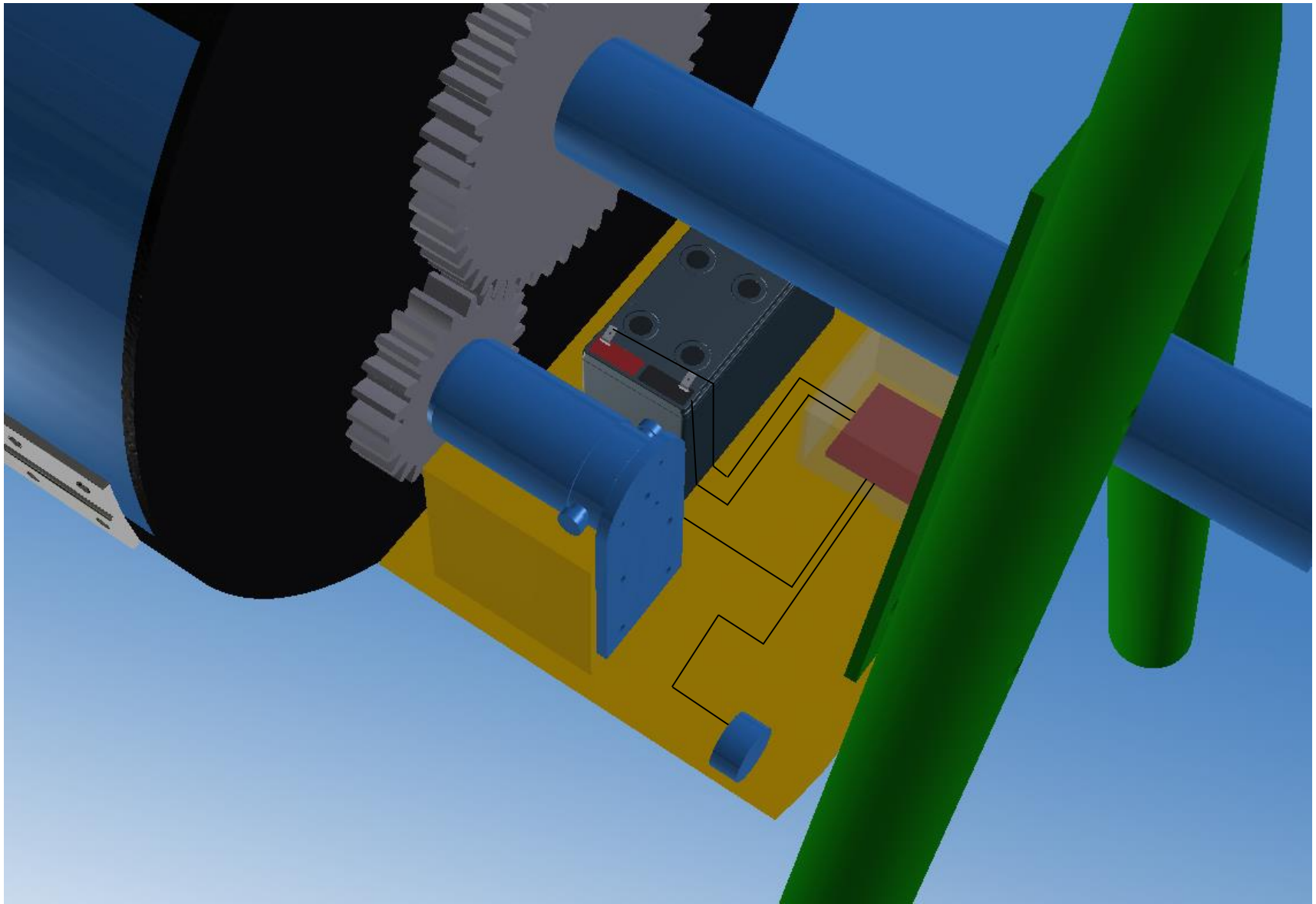


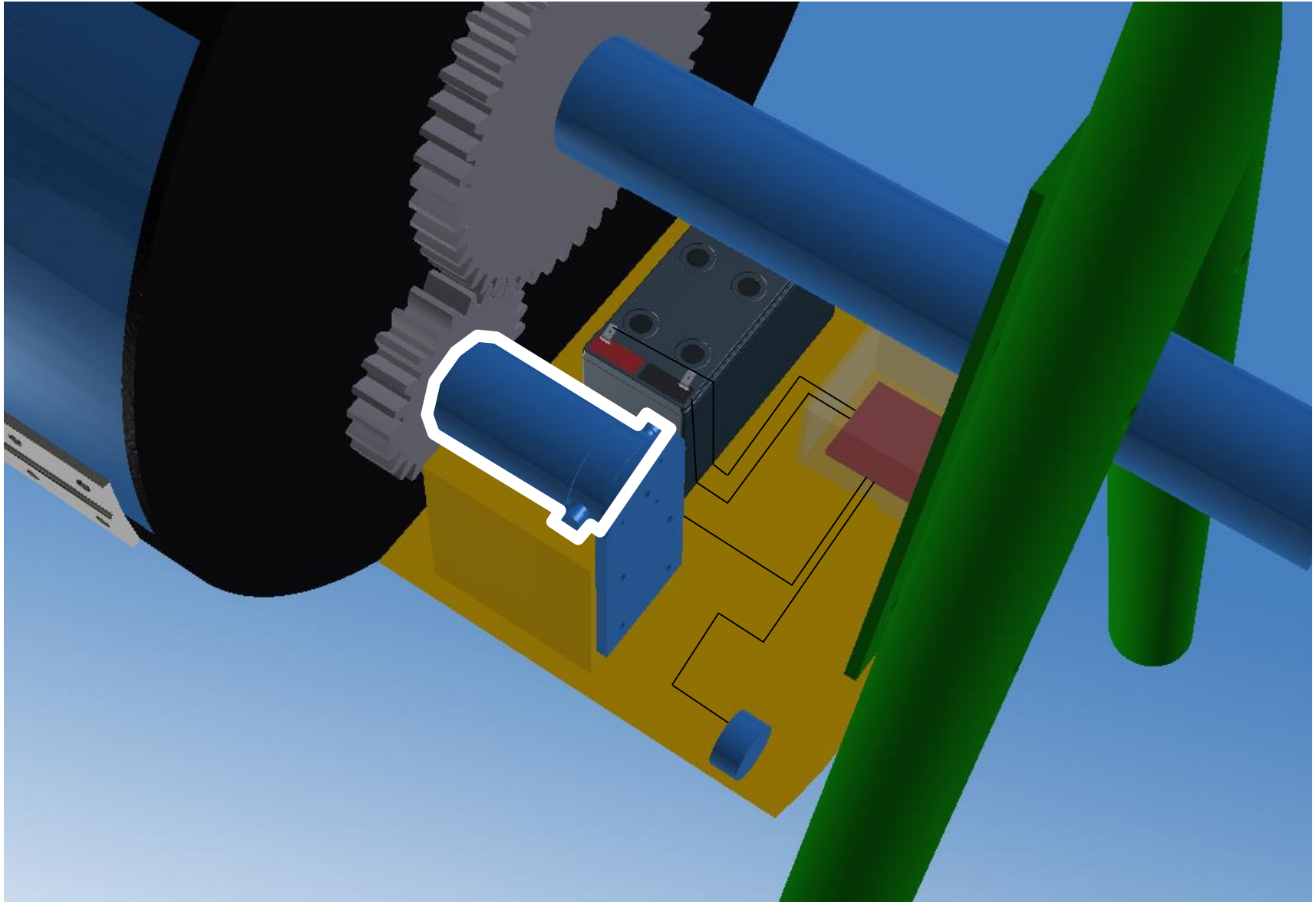


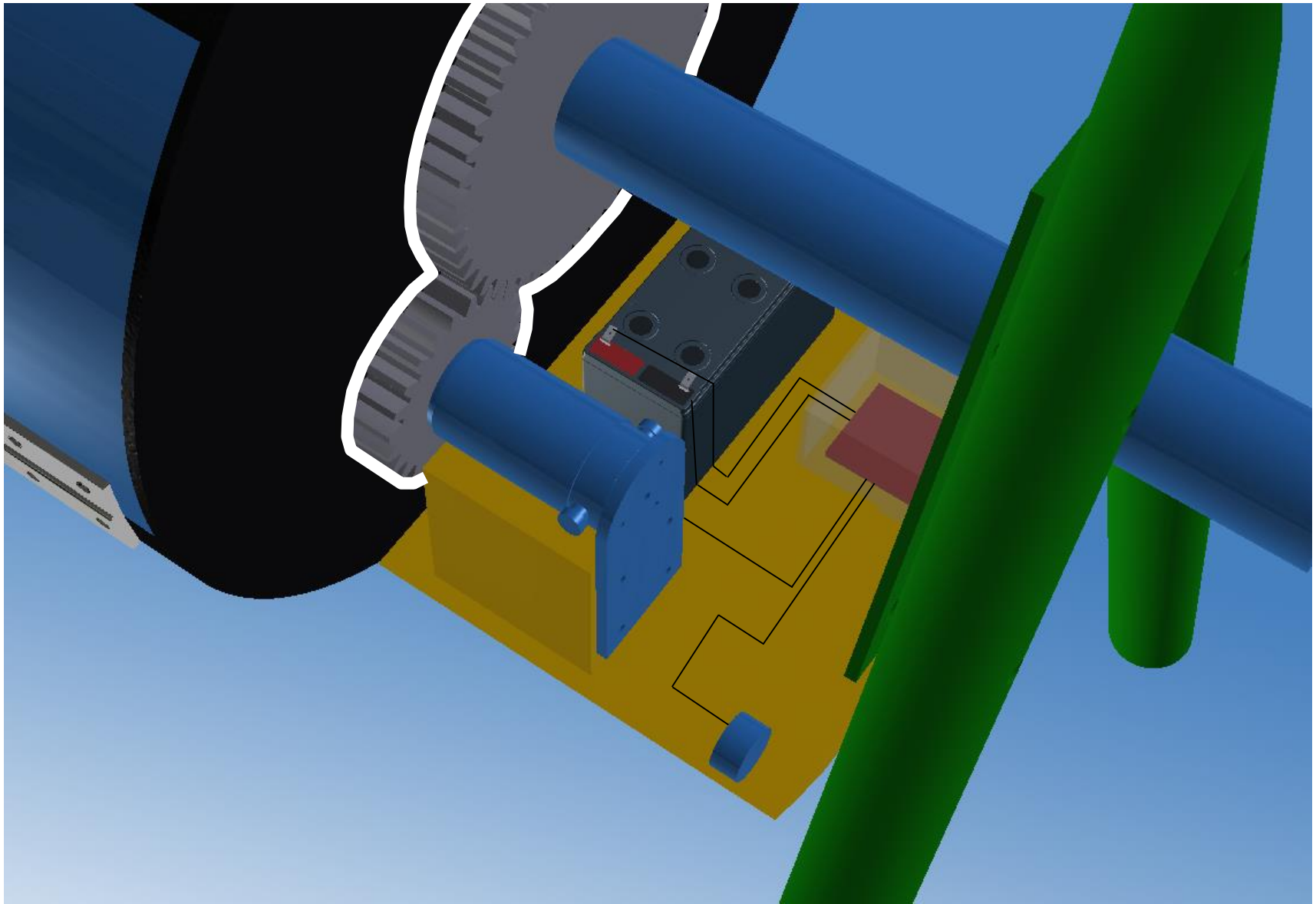


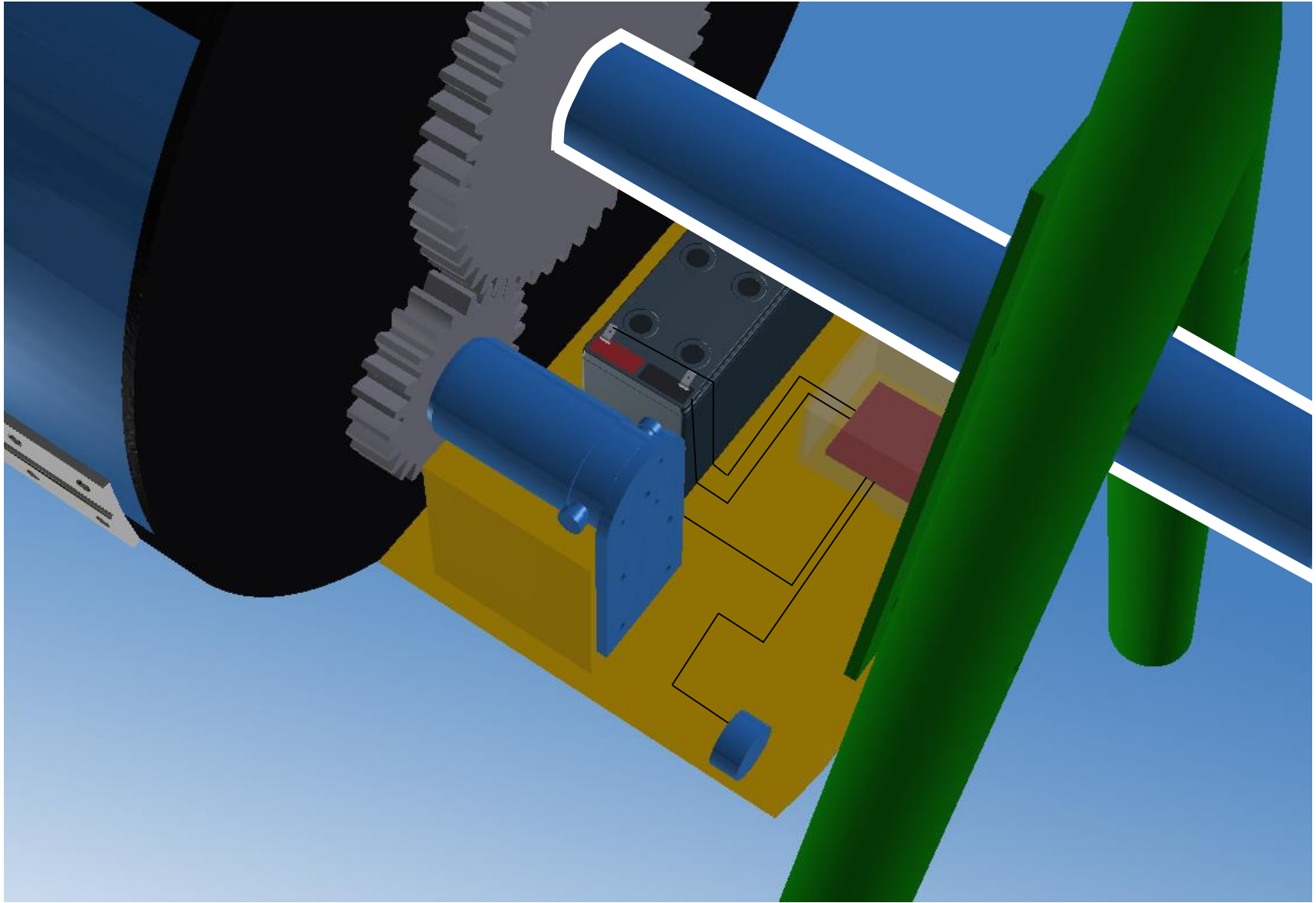


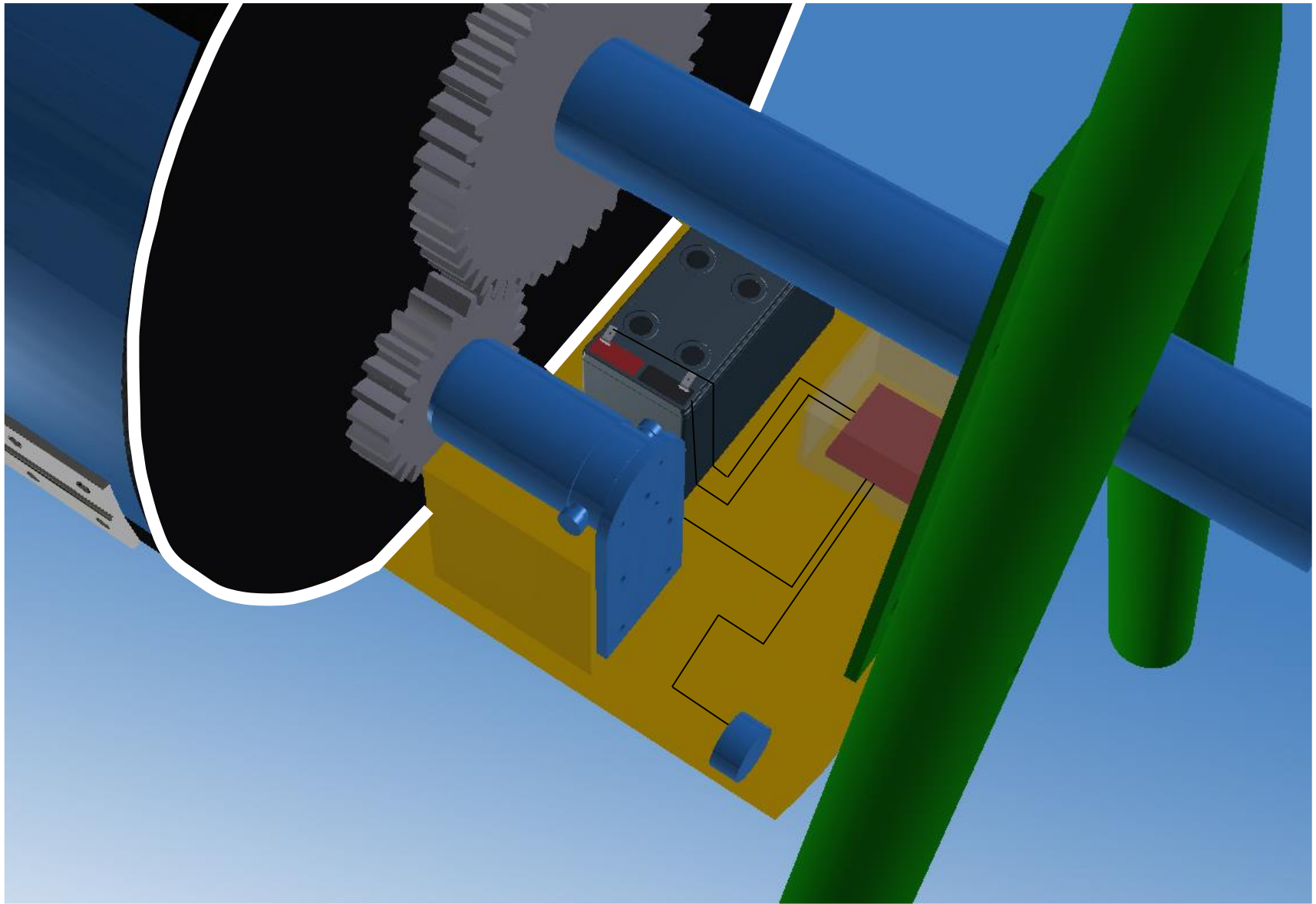






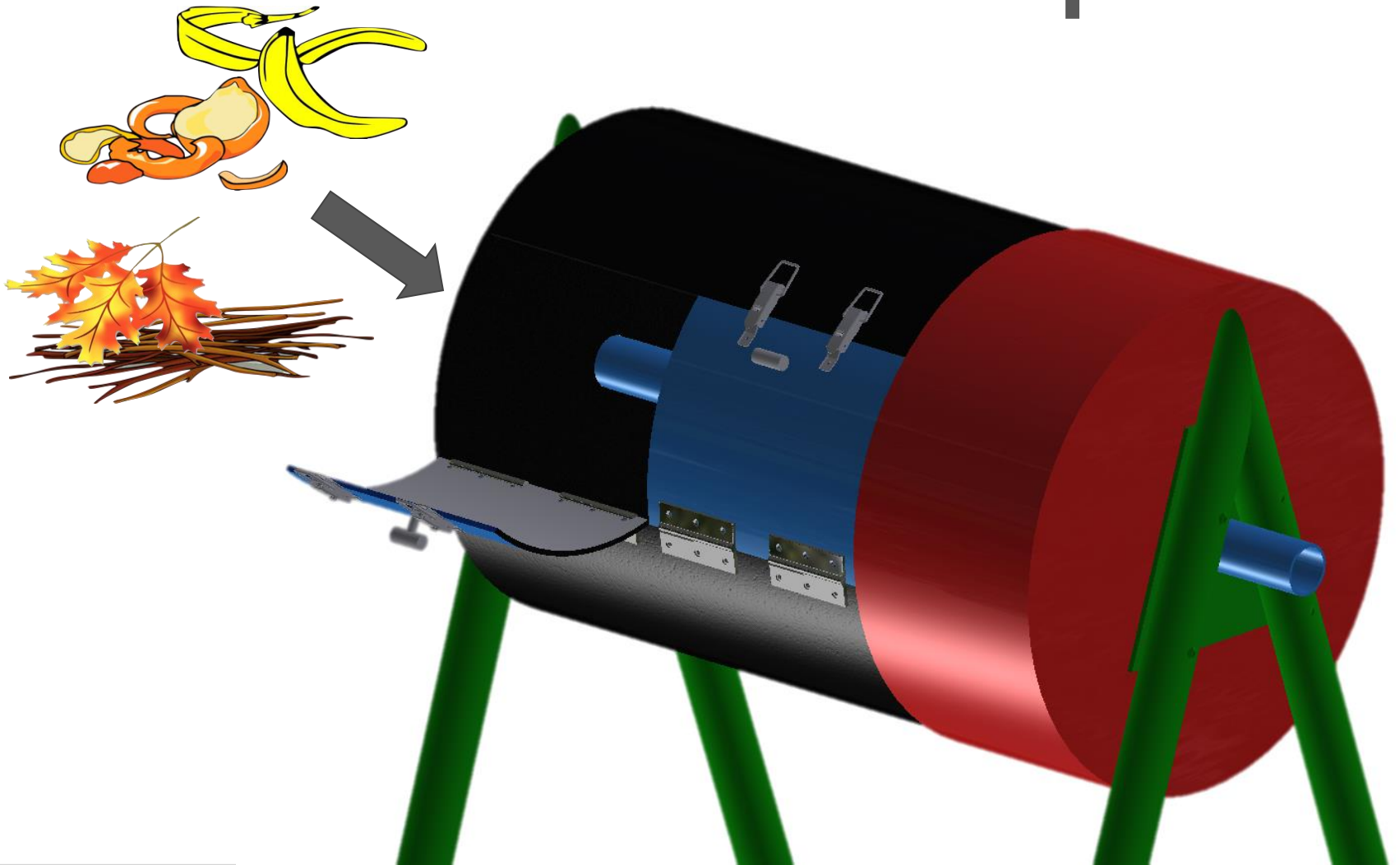








# Step 1



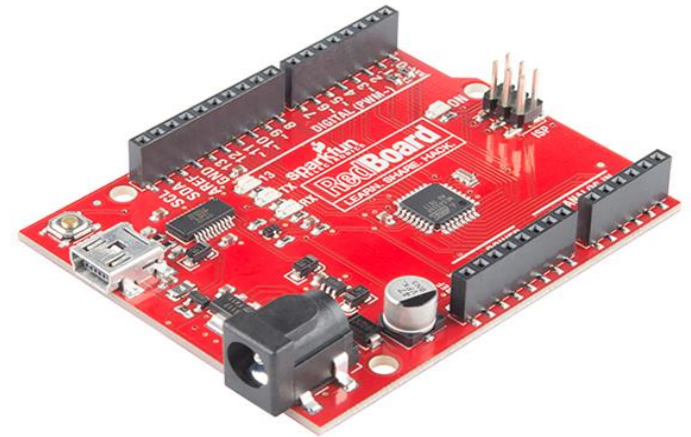
# Step 2



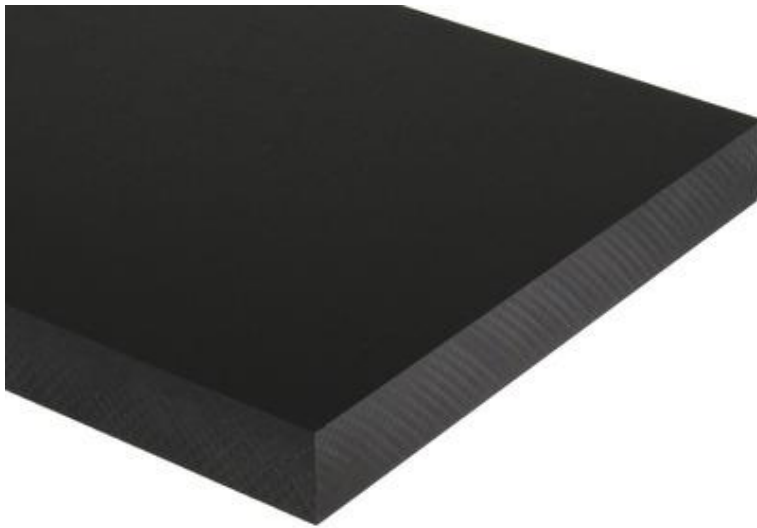
# Step 3





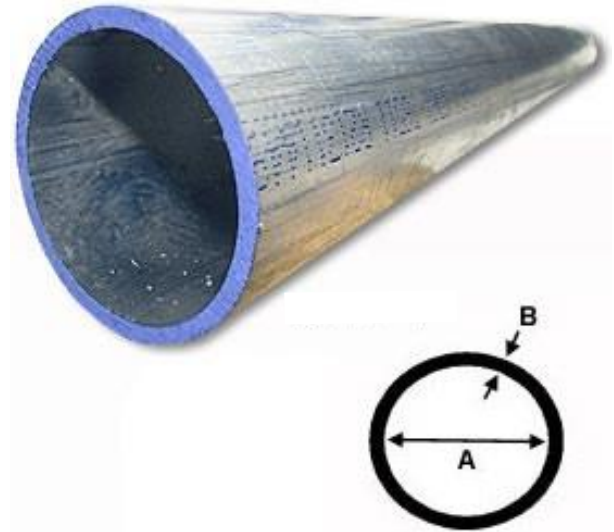


## Drum and Motor Housing

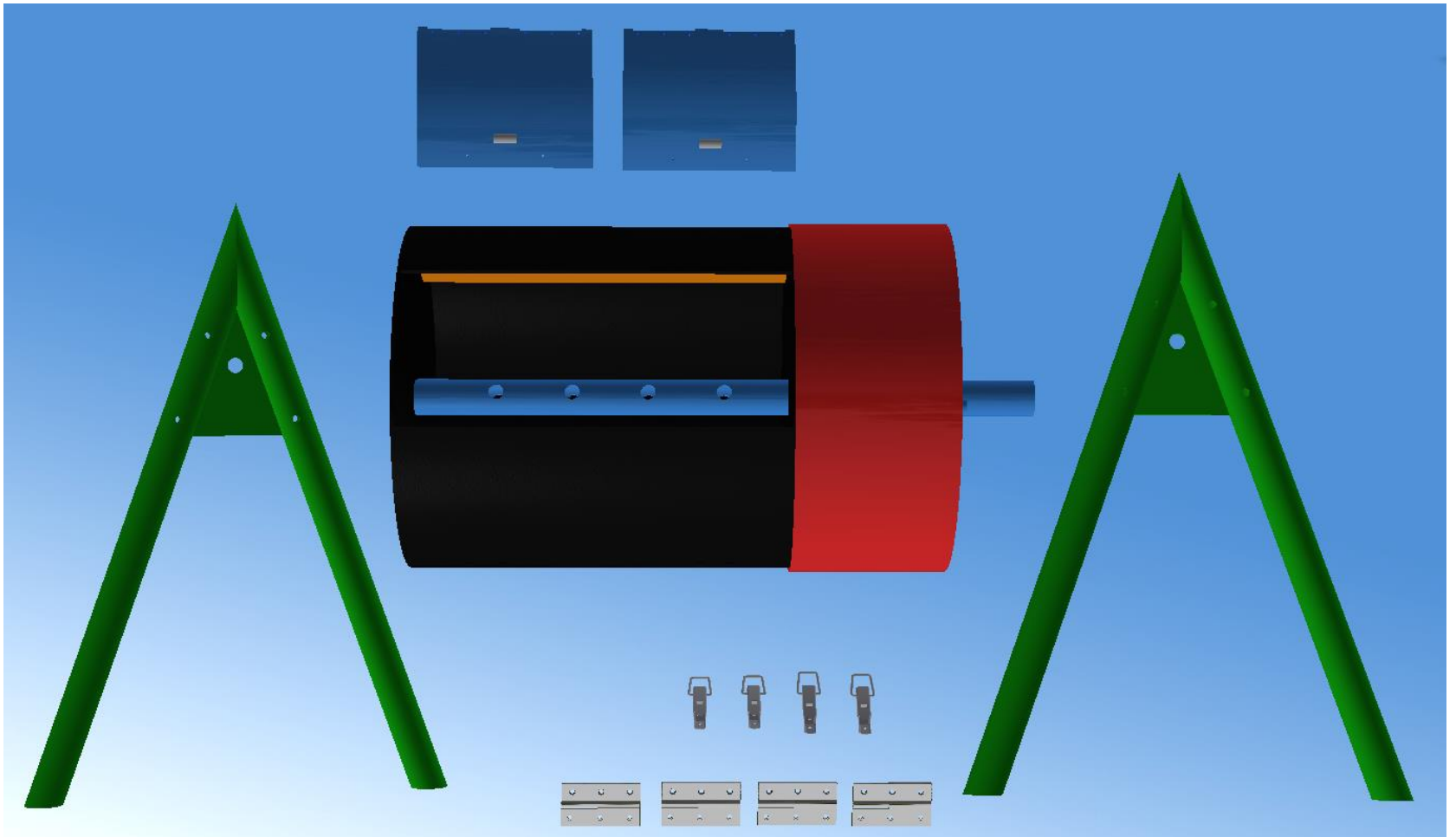


**High-Density  
Polyethylene**

## Supports and Axle



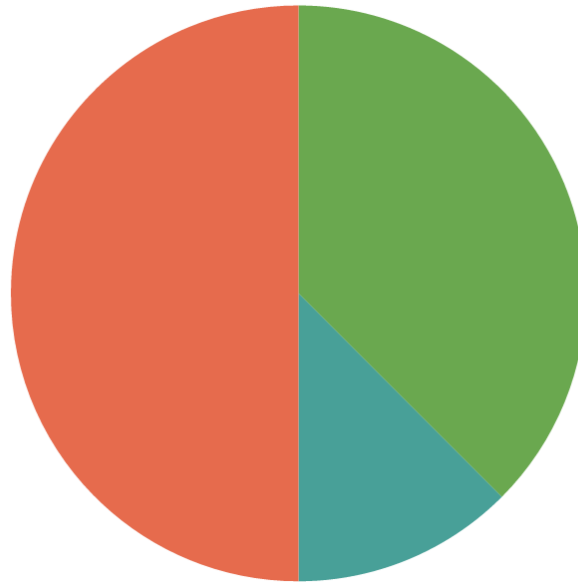
**Aluminum 6061  
T651 Schedule 40**



■ Materials Cost: \$150

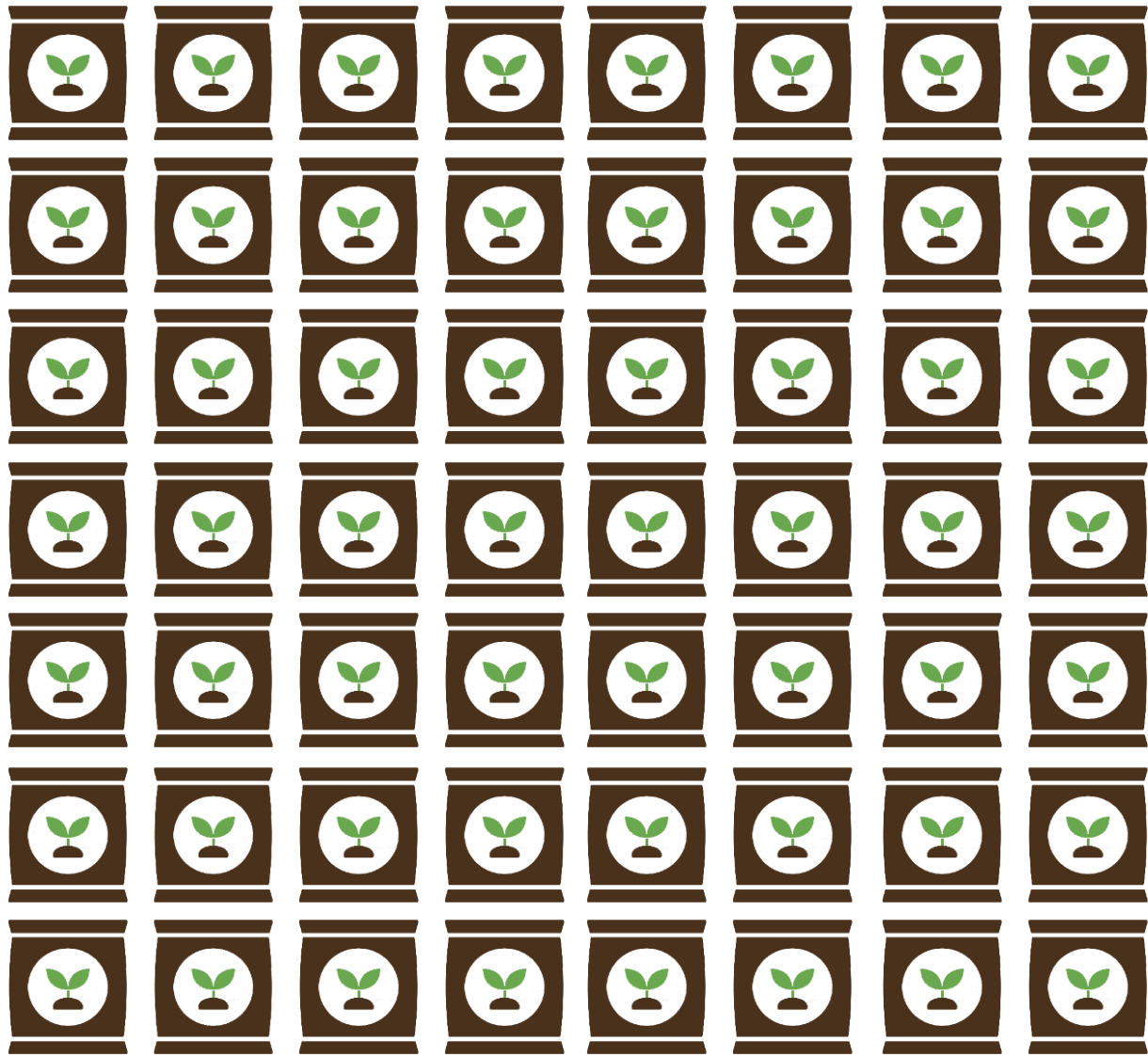
■ Overhead: \$50

■ Keystone Markup: \$200

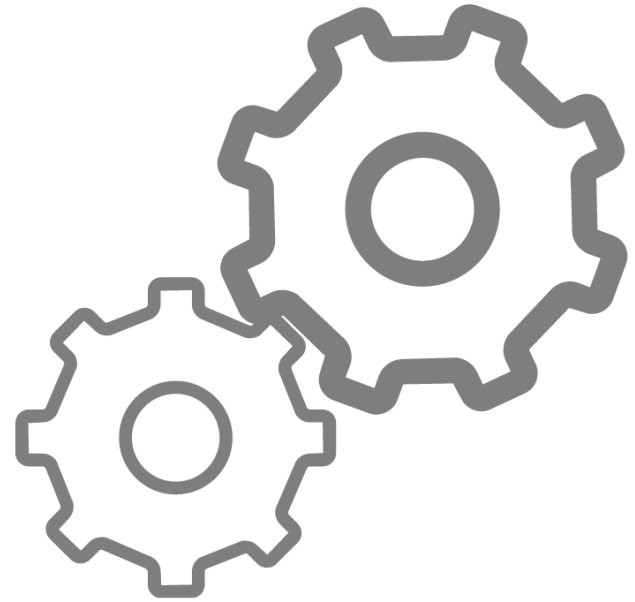
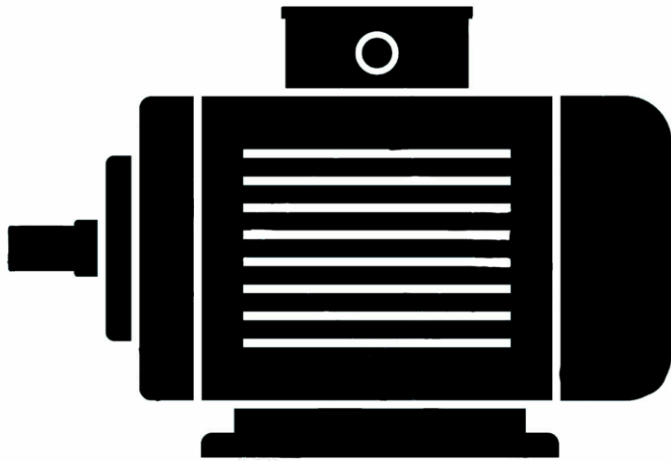


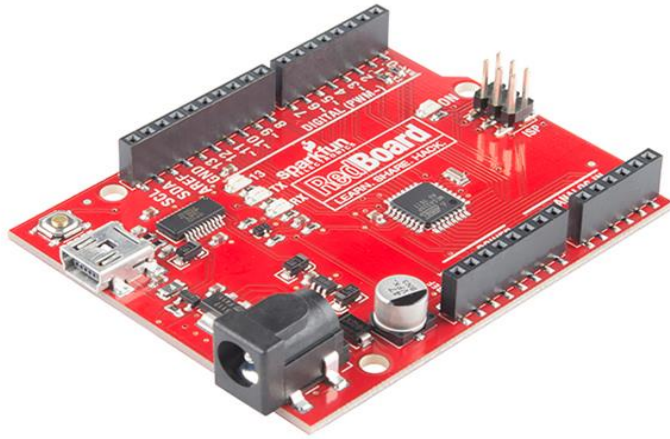
**Consumer Cost: \$400**



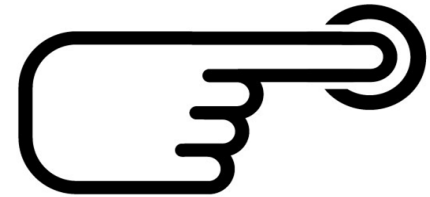
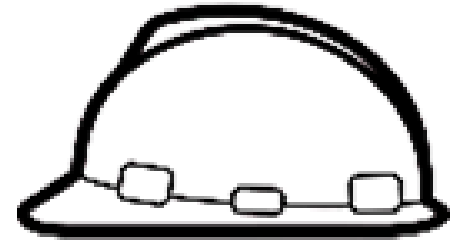


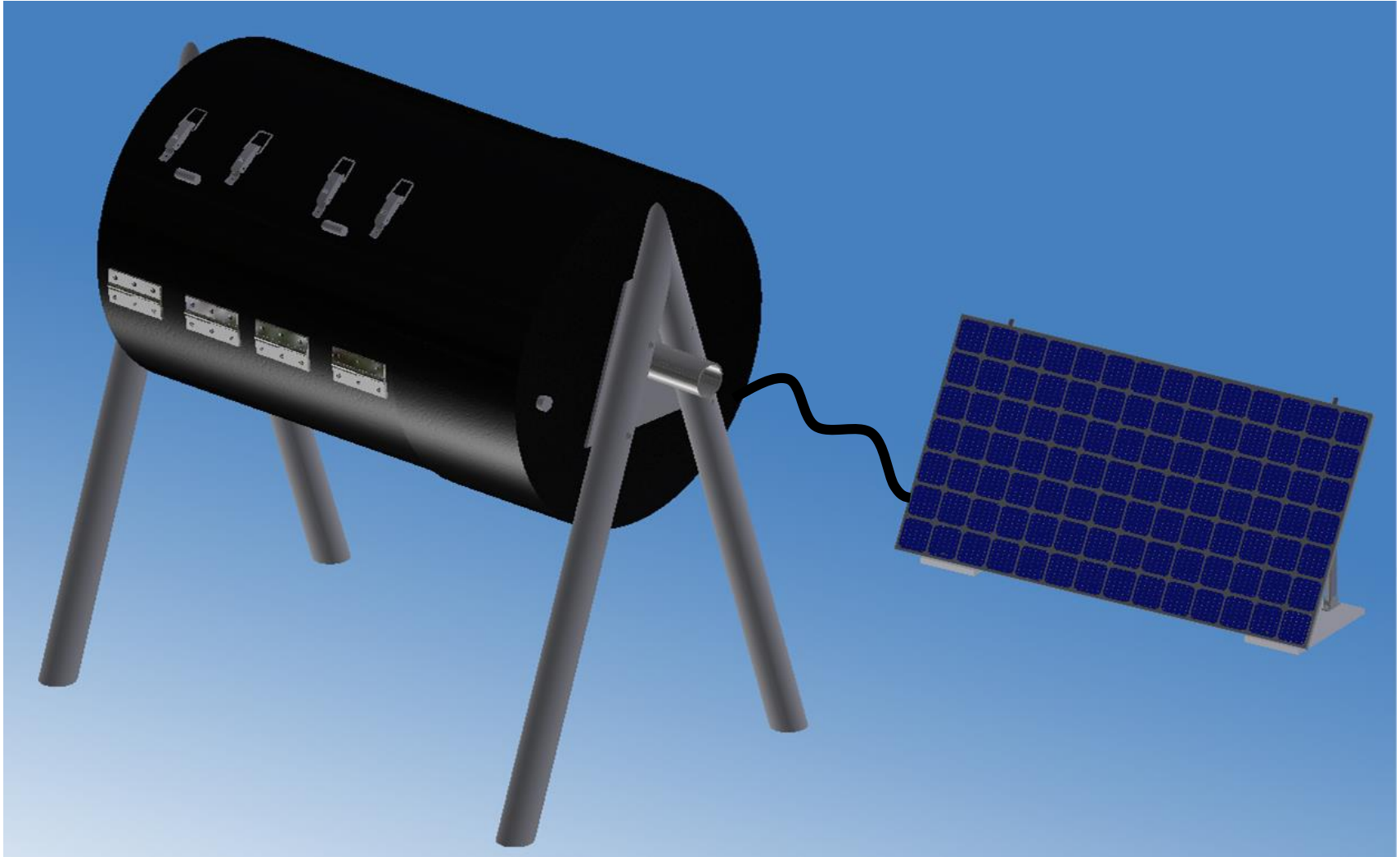


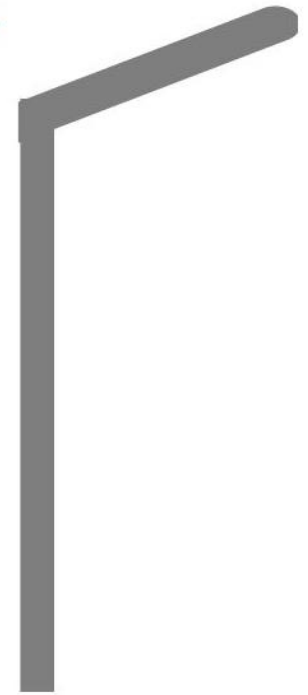
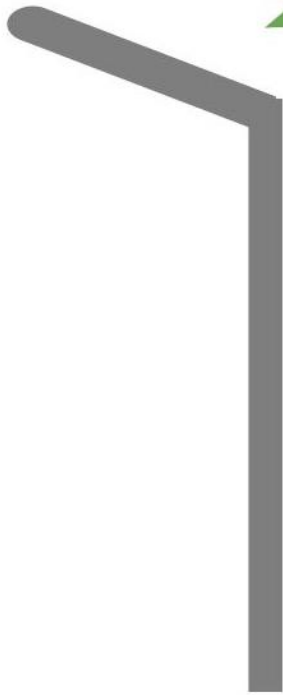
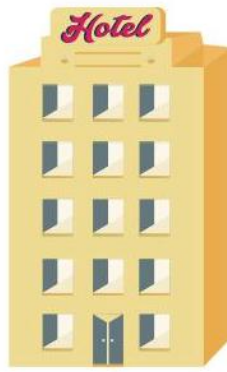




=







# Special Thanks to:

Steve Cahoon	Bowen's Farm Supply Inc.
Geoff Bernstein	Maryland Department of Natural Resources
Bradford Hill	Maryland Department of Environment
Andrew Milcic	University of Baltimore
Martin Negron	University of Maryland
Brian Drude	Master Gardeners
Paul Ostrowski	Veteran Compost
Tariq Masood	
Kerry L Wixted	

# References

50 State Temperature Rankings. (n.d.). Retrieved October 12, 2015, from [http://www.netstate.com/states/tables/st\\_temp.htm](http://www.netstate.com/states/tables/st_temp.htm)

Average Size of Households in the U.S. 1960-2014. | Statistic (n.d.). Retrieved September 29, 2015,

Backyard Composting. (2015, May 26). Retrieved October 13, 2015, from [http://www.ci.minneapolis.mn.us/solid-waste/yardwaste/solid-waste\\_yardwaste-composting](http://www.ci.minneapolis.mn.us/solid-waste/yardwaste/solid-waste_yardwaste-composting)

Building Your Compost Pile. (2015). Retrieved October 12, 2015, from <http://web.extension.illinois.edu/homecompost/building.cfm>

Bulk Material Calculator - Keller Material, Ltd. (n.d.). Retrieved September 25, 2015.

Can-O-Worms Worm Composter. (n.d.). Retrieved September 29, 2015, from <http://www.abundantearth.com/store/canoworms.html>

Can-O-Worms Worm Composter. (n.d.). Retrieved September 29, 2015, from <http://www.abundantearth.com/store/canoworms.html>

Chicago Composting Ordinance, Ordinance 7-28-710, 7-28-715. Retrieved October 12, 2015 from [http://www.cityofchicago.org/content/dam/city/depts/dae/general/RecyclingAndWasteMgmt\\_PDFs/Composting/Ordinance92607\\_3.pdf](http://www.cityofchicago.org/content/dam/city/depts/dae/general/RecyclingAndWasteMgmt_PDFs/Composting/Ordinance92607_3.pdf)

Choosing a Compost System. (2005, December 19). Retrieved September 29, 2015, from <http://www.klickitatcounty.org/solidwaste/ContentROne.asp?fContentIdSelected=1939319116&fCategoryIdSelected=9>

CMP-05 Spinning Horizontal Composter by Achla. (n.d.). Retrieved September 29, 2015, from <http://www.eco-outfitter.com/p-137-achla-cmp-05-spinning-horizontal-composter.aspx>

CMP-05 Spinning Horizontal Composter by Achla. (n.d.). Retrieved September 29, 2015, from <http://www.eco-outfitter.com/p-137-achla-cmp-05-spinning-horizontal-composter.aspx>



Compost Fundamentals: Compost Needs - Particle Size. (n.d.). Retrieved October 6, 2015, from [http://whatcom.wsu.edu/ag/compost/fundamentals/needs\\_particle\\_size.htm](http://whatcom.wsu.edu/ag/compost/fundamentals/needs_particle_size.htm)

Compost Fundamentals: Compost Needs - Temperature. (n.d.). Retrieved October 9, 2015, from [http://whatcom.wsu.edu/ag/compost/fundamentals/needs\\_temperature.htm](http://whatcom.wsu.edu/ag/compost/fundamentals/needs_temperature.htm)

Compost Pit. (n.d.). Retrieved September 29, 2015, from <http://www.smartranger.net/index.cfm?&menuid=17>

Compost Tumblers. (n.d.). Retrieved September 29, 2015, from [http://eartheasy.com/compost\\_tumbler.htm](http://eartheasy.com/compost_tumbler.htm)

Compost. (n.d.). Retrieved September 29, 2015, from <http://www.smartranger.net/index.cfm?&menuid=17>

Composting At Home. (2015, August 27). Retrieved September 20, 2015.

Edwards, A., & Solorzano, V. (2013, December 27). *Executive Summary Report – Composting* [Memorandum]. Rochester, NY: Harris Interactive.

from

GardenWise Compost Bin. (n.d.). Retrieved September 29, 2015, from <http://compostmania.com/gardenwise-compost-bin/#.VgrjuPIViko>

GardenWise Compost Bin. (n.d.). Retrieved September 29, 2015, from <http://compostmania.com/gardenwise-compost-bin/#.VgrjuPIViko>

Home Composting. (n.d.). Retrieved September 29, 2015, from <http://www.planetnatural.com/composter-connection/making/composting-at-home/>

Hot Composting Part One - Building the Compost. (n.d.). Retrieved September 29, 2015, from <http://www.the-compost-gardener.com/hot-composting.html>

Hot Composting Part One - Building the Compost. (n.d.). Retrieved September 29, 2015, from <http://www.the-compost-gardener.com/hot-composting.html>

<http://www.dsmt.com/resources/ip-rating-chart>

Jora JK125 Composter. (n.d.). Retrieved September 29, 2015, from <http://eartheasy.com/jora-jk125-composter-4-5-cubic-feet>

Jora JK125 Composter. (n.d.). Retrieved September 29, 2015, from <http://eartheasy.com/jora-jk125-composter-4-5-cubic-feet>

Metzger, T. (2014, January 8). National Waste & Recycling Association survey finds most Americans would compost if it was more convenient in their community | News Feed. Retrieved September 20, 2015.

Monitoring Compost Moisture - Cornell Composting. (1996). Retrieved October 7, 2015, from <http://compost.css.cornell.edu/monitor/monitormoisture.html>

Mulch Store FAQs, (n.d.). Retrieved October 1, 2015, from [mulchstoremn.com/faq.html](http://mulchstoremn.com/faq.html)

Mulch Store MN: FAQ. (n.d.). Retrieved September 25, 2015.

Noise Pollution. (n.d.). Retrieved October 13, 2015, from [http://www.ecy.wa.gov/laws-rules/noise\\_citizen.html](http://www.ecy.wa.gov/laws-rules/noise_citizen.html)

Patkin, M. (2001). A Check-List for Handle Design. Retrieved October 12, 2015.

The Composting Process. (n.d.). Retrieved October 13, 2015, from <http://extension.illinois.edu/compost/process.cfm>

Trautmann, N. (n.d.). Compost Physics - Cornell Composting. Retrieved September 20, 2015.

Urban Compost Tumbler | Composting Bin. (n.d.). Retrieved September 29, 2015, from <http://urbangardencenter.com/index.html>

Urban Compost Tumbler | Composting Bin. (n.d.). Retrieved September 29, 2015, from <http://urbangardencenter.com/index.html>

What is Product Liability? (n.d.). Retrieved October 13, 2015, from <http://injury.findlaw.com/product-liability/what-is-product-liability.html>

Whiting, D. (2014, October 1). Making Compost. Retrieved October 12, 2015, from <http://www.ext.colostate.edu/mg/gardennotes/246.html>

Yard Butler ICA-36 Compost Aerator. (n.d.). Retrieved September 29, 2015, from <http://bigsale.bandhem.com/db00EOMCJHC>